

GENERAL FEATURES

- **Long Service Life** - Thick plate design and efficient gas recombination yield a service life expectancy of up to 10 years in standby mode.
- **Low Internal Resistance** - Superb high-rate discharge characteristics ensure reliable performance in UPS and Telecom applications.
- **Maintenance-Free, Non-Spillable** - Proven VRLA technology guarantees safe operation without maintenance and 'non-restricted article' status for transportation.
- **Low Self-Discharge** - Lead-calcium alloy grids and use of high purity lead account for superior shelf-life characteristics permitting storage for extended periods of time.
- **Designed-In Reliability** - Cutting-edge manufacturing and process control combined with meticulous quality assurance procedures guarantee consistent and dependable performance

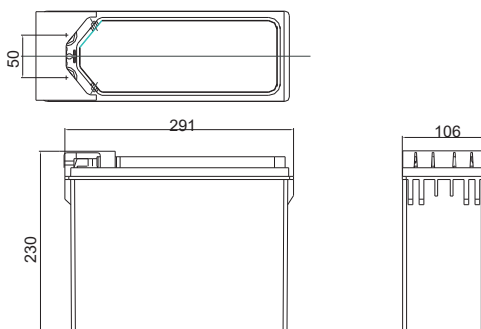
PERFORMANCE SPECIFICATIONS

Nominal Voltage	12V(6 cells)	
Design Floating Life @25°C	12 Years	
Nominal Capacity @25°C	20 hour rate	55.0Ah
	2.75A to 10.50V	
	10 hour rate	48.2Ah
	4.82A to 10.80V	
	5 hour rate	43.3Ah
Internal Resistance	14.43A to 10.50V	
	3 hour rate	37.5Ah
	12.5A to 9.60V	
	1 hour rate	30.7Ah
Energy Density (20-hr. rate)	30.7A to 9.60V	
	Full Charged Battery@25°C	<9.0mΩ
Specific Energy (20-hr. rate)	83.54W-h/l	
Shelf Life (nominal capacity at 20°C)	36.67W-h/kg	
	1 Month	97%
	3 Months	91%
Max Short-Duration Discharge Current	6 Months	83%
	5 Sec	900.0A
Standby Use Charge (Constant Voltage) @25°C	Initial Charging	
	Current Less than 11A Voltage 13.6 - 13.8V	
Cycle Use Charge (Constant Voltage) @25°C	Initial Charging	
	Current Less than 11A Voltage 14.4 - 14.9V	
Operating Temperature Range	Charge	-20°C to 50°C
	Discharge	-40°C to 60°C

GENERAL FEATURES

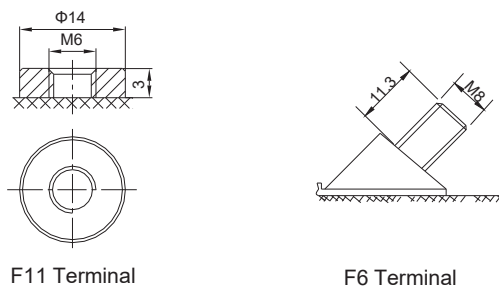
mm

	Unit: mm		
Length	291±1	Total Height	230±1
Width	106±1	Weight(kg)	18.0±1
Height	230±1		



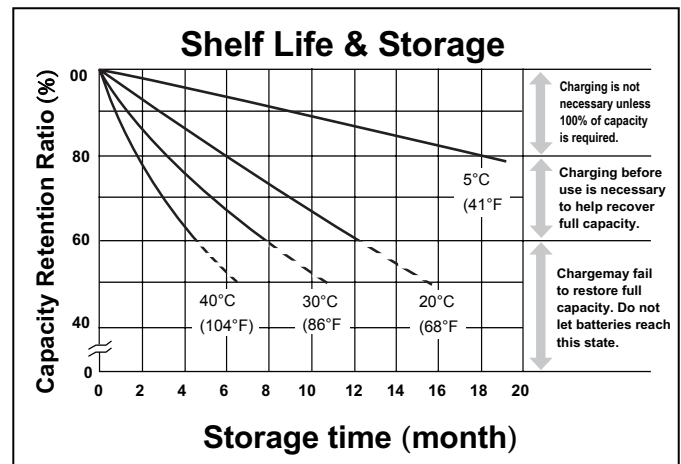
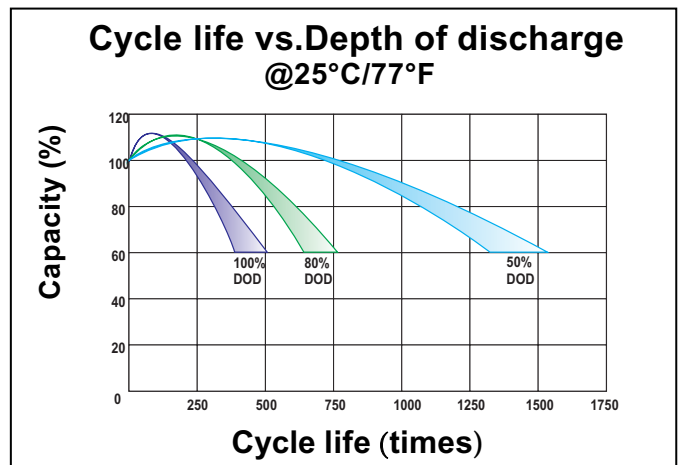
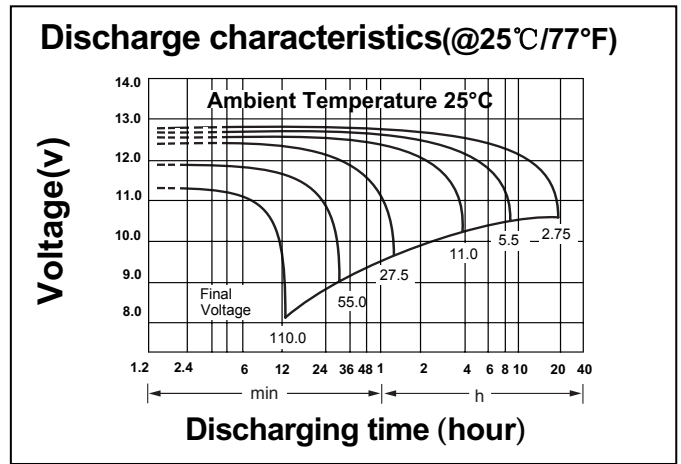
TERMINALS

mm



F11 Terminal

F6 Terminal



CONSTANT CURRENT DISCHARGE RATINGS (Amperes at 25°C)

F.V/Time	15MIN	30MIN	1HR	2HR	3HR	4HR	5HR	8HR	10HR	20HR
1.60V	79.8	52.5	30.7	18.4	12.7	10.5	8.85	6.05	5.02	3.03
1.65V	78.1	51.6	30.6	18.2	12.6	10.5	8.80	6.00	4.97	2.92
1.70V	76.9	51.1	30.3	18.1	12.6	10.4	8.75	5.95	4.92	2.83
1.75V	74.1	51.2	30.0	18.0	12.5	10.3	8.65	5.90	4.87	2.75
1.80V	69.1	50.9	29.3	17.6	12.2	10.1	8.49	5.80	4.82	2.59
1.85V	62.7	48.1	27.9	16.9	11.6	9.59	8.13	5.56	4.68	2.48